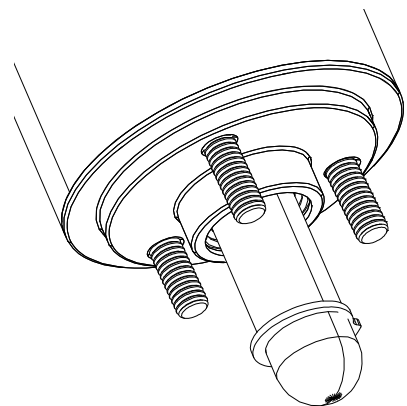
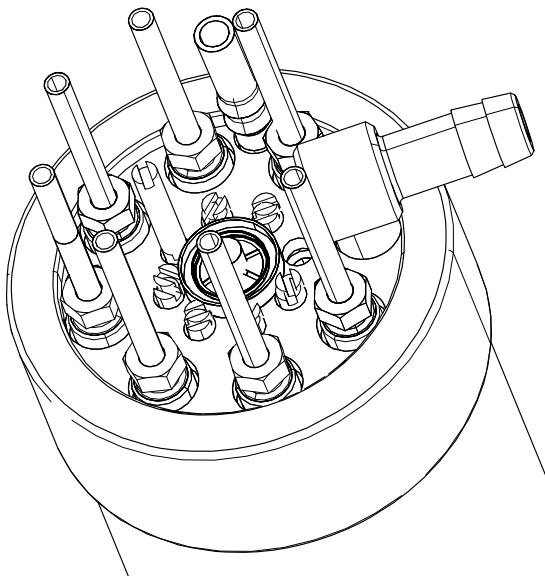
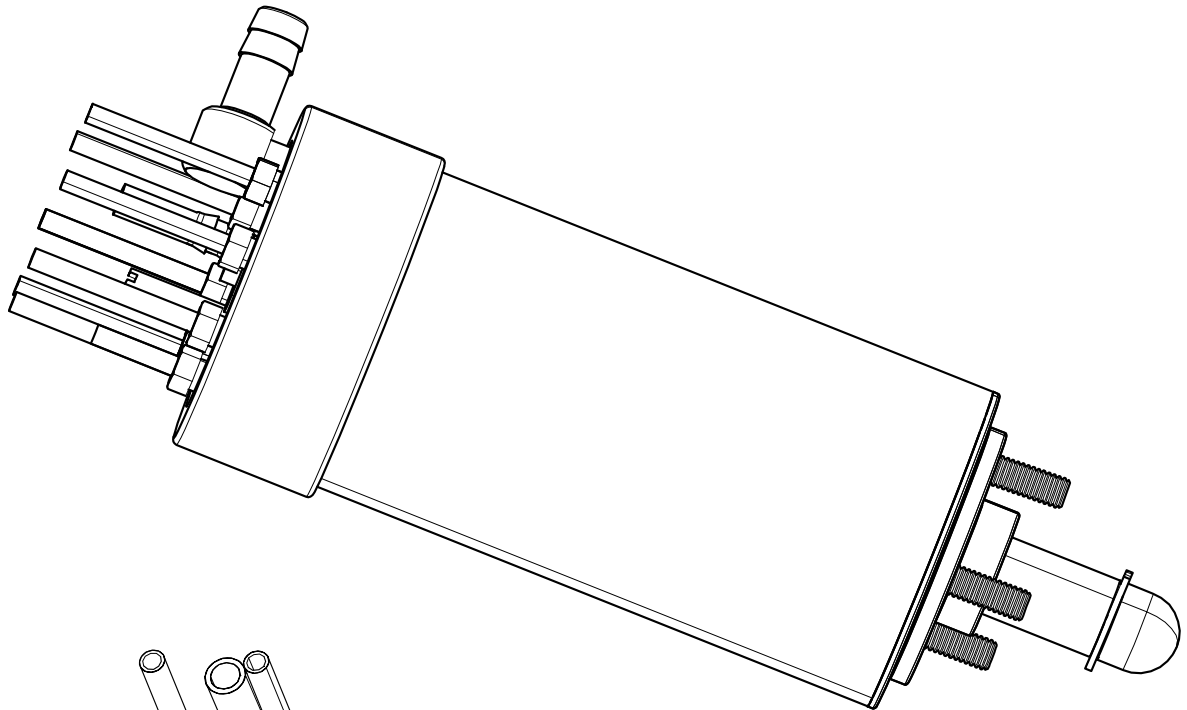


# *Oilmaster*2

## INSTALL GUIDE



Unit15, Dabble Duck Industrial Estate, Shildon, Co. Durham DL4 2QN

Tel: 01388 775584 Fax: 01388 778893

Email: [post@btconnect.com](mailto:post@btconnect.com)

[www.bignall.co.uk](http://www.bignall.co.uk)



## INTRODUCTION & GUIDE NOTES

### Introduction

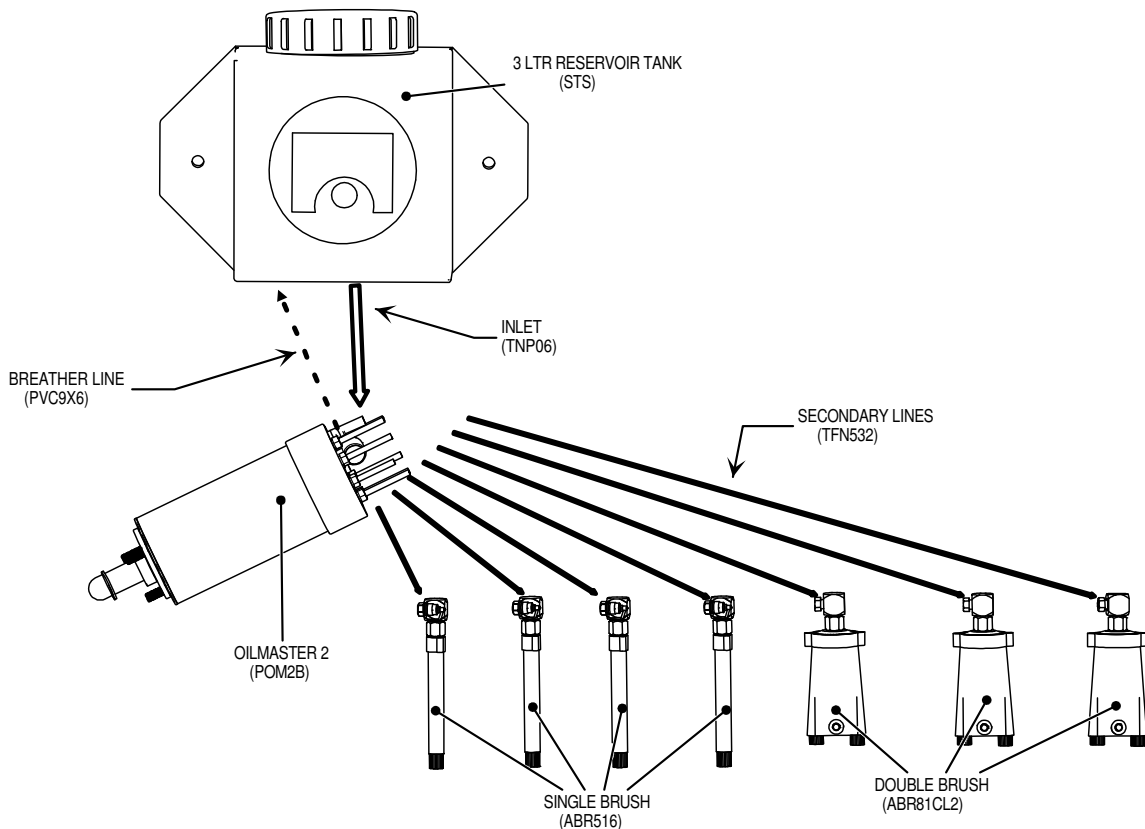
Oilmaster 2 is a multiline individually adjustable pump designed to deliver Oil at pressures of up to 20bar in infinitely variable volumes up to 2.25cc per point at each operation. The pump is designed to be mechanically operated and has a fixed stroke of 25mm which must be completed in full on each cycle.

The information which follows is for the most common applications which are to roll balers for chain lubrication allowing for up to 7 brushes to be fed with light oils up to SAE 30 above 6 deg C. Applications which require heavier oils or more points are possible with the cooperation of the manufacturer.

### Guide Notes

- Only Clean Oil is to be used, contaminants will cause the valves to fail.
- Light oils of up to SAE 30 above 6° Celsius.
- Do not clamp main body.
- A substantial bracket to be utilised.

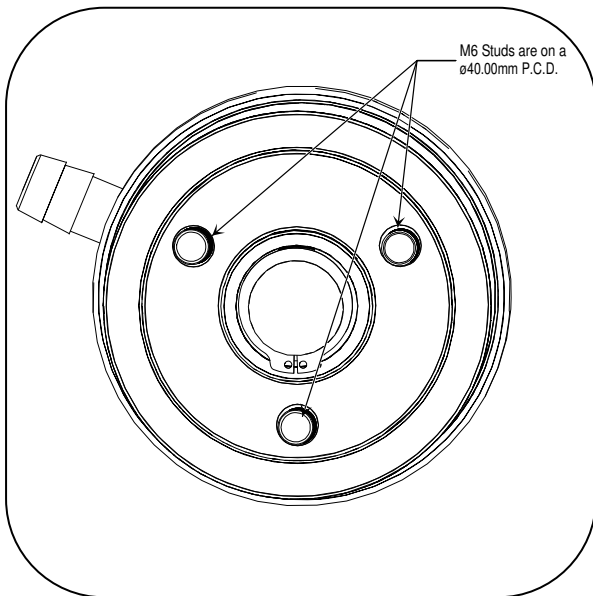
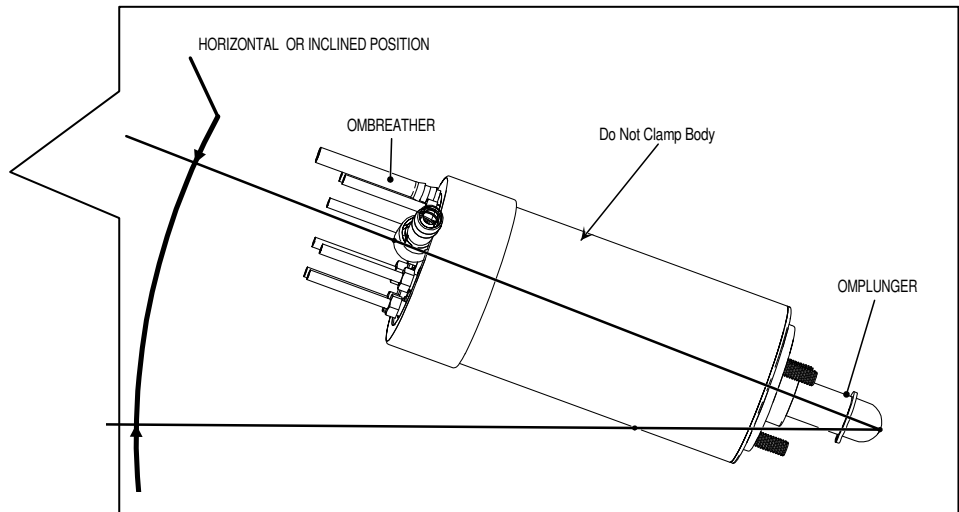
### General Layout



## MOUNTING THE PUMP

- Use a substantial bracket
- Do Not Clamp Body

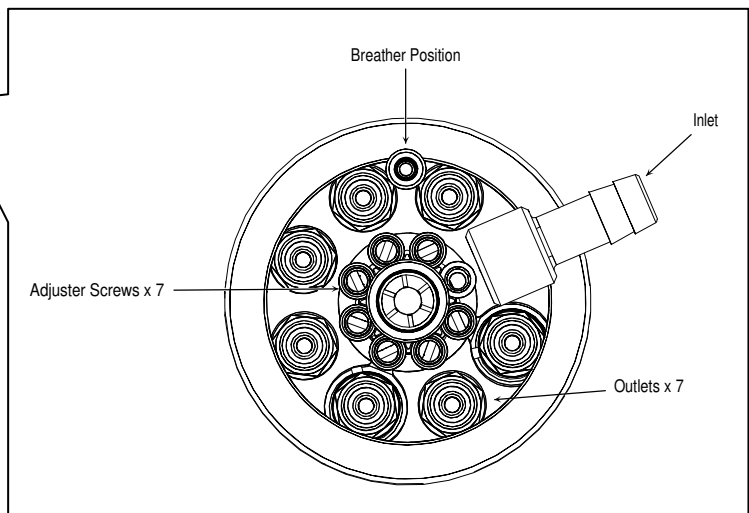
1. Mount horizontally or with the plunger lower than the outlets



2. Use the M6 studs to fasten the pump to bracket

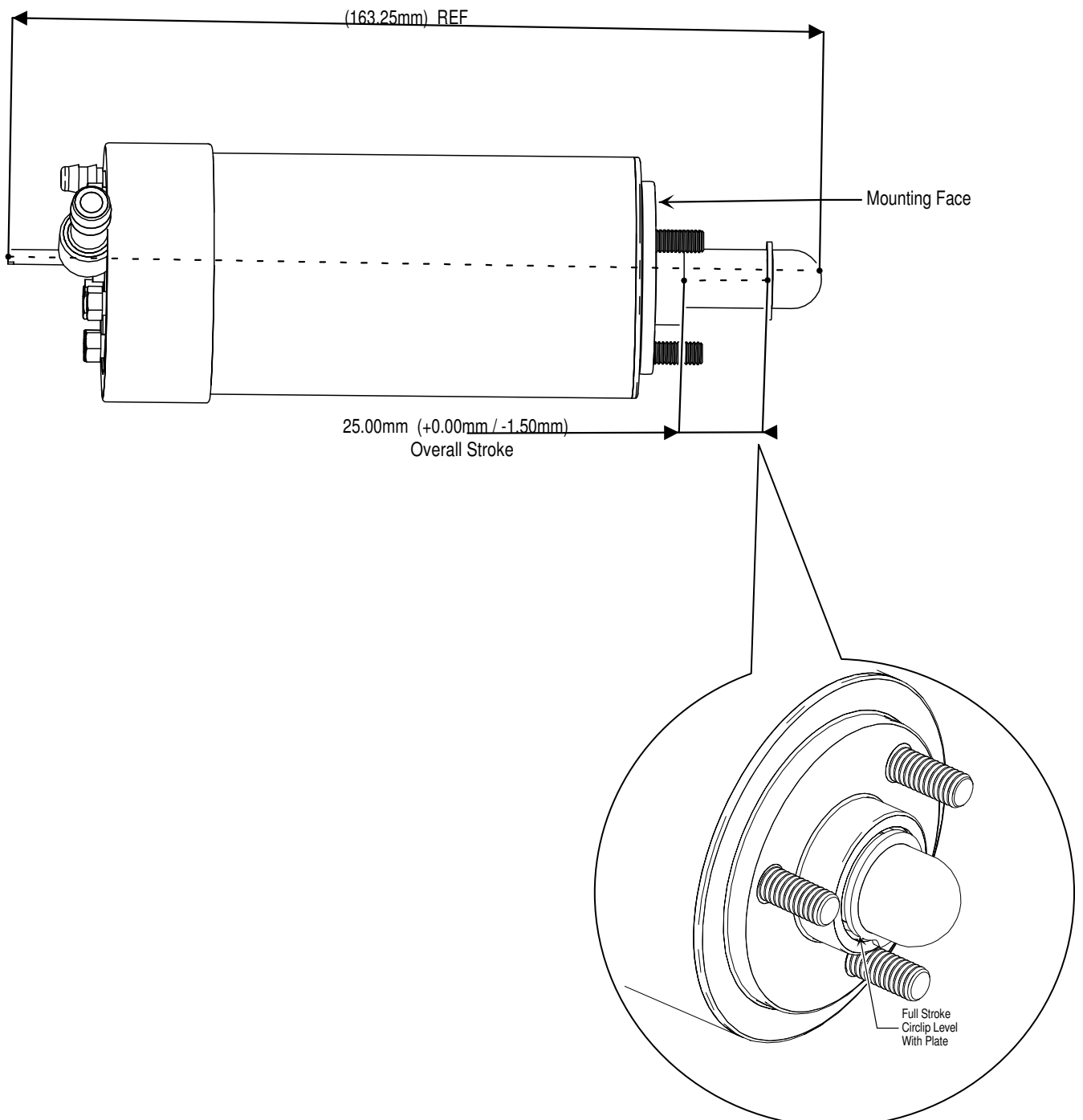
3. Breather must be at the highest point, unless vertical mounting is chosen

4. The breather pipe is normally returned into the top of the reservoir, but may be vented to atmosphere in which case it should be at least 100mm above the max oil level.



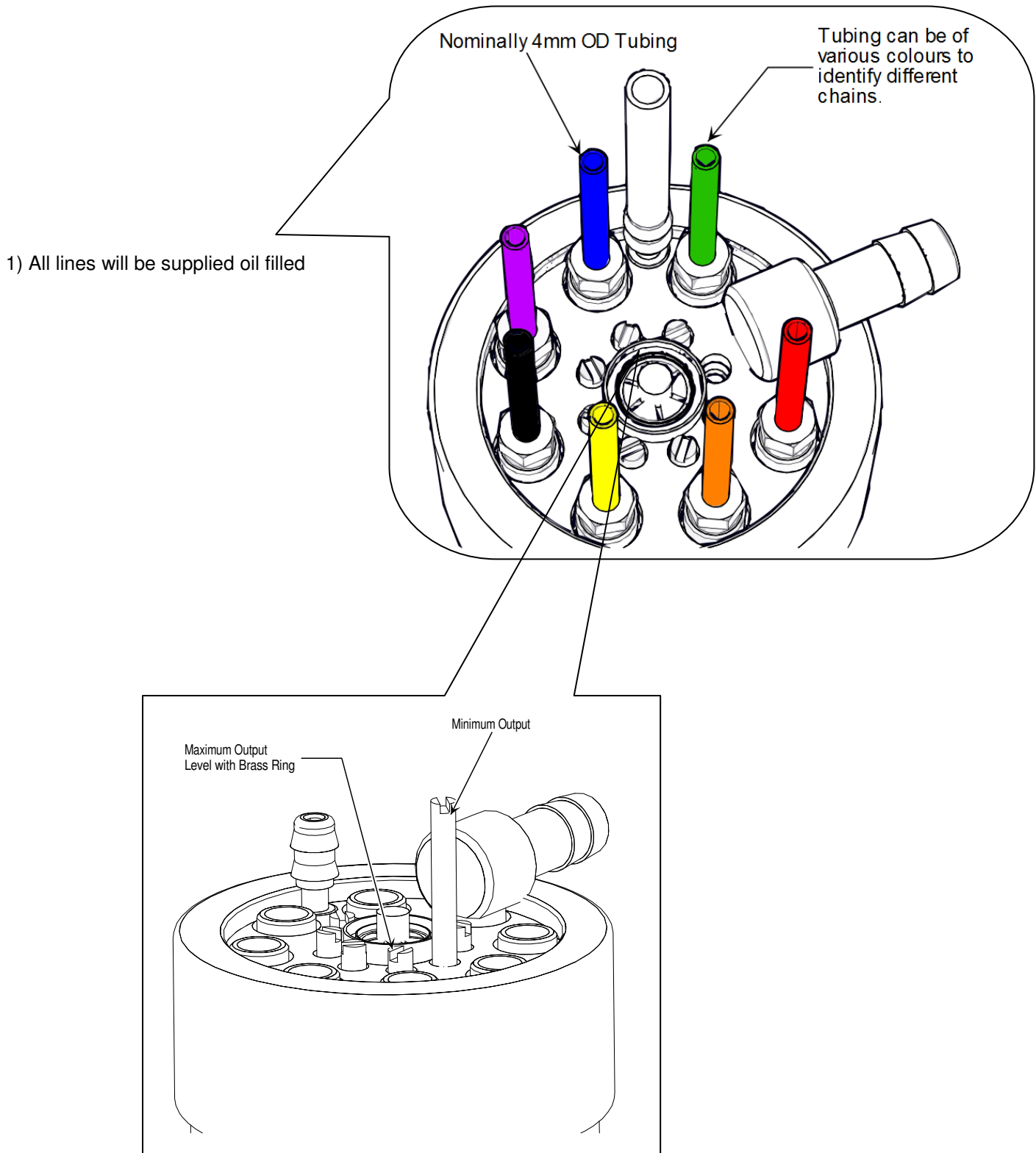
## OPERATING MOTION

- A suitable movement such as the closure of the bale door, the movement of the bale door ram or door locking mechanism should be found such that it operated once per bale cycle.
- The pump can be left either fully compressed or extended between cycles
- The operating motion must be complete on every cycle, partial operation will lead to inefficiency and small outputs are likely not to deliver.
- Over-stroking may damage the pump mechanism



## OUTLETS & ADJUSTABILITY

- Outlet pipes, normally 4mm od, may be supplied in different colours to help identifying the various chains should adjustment of an outlet be required.
- Pumps are normally supplied already calibrated as part of the factories 100% test procedure.
- Larger outlets should normally be limited to 3metres, while smaller outlets may be up to 4.5metres. If longer lines are required, the manufacturer should be consulted



## COMMISSIONING

- All pumps are 100% tested and calibrated before leaving the factory and secondary lines are supplied filled with oil.
- It is only necessary to fill the reservoir with the specified oil, make sure the label showing the correct oils to use is visible and allow the pump to self bleed. (pg 3)
- Once this is complete, oil will be visible in the breather pipe.
- If the reservoir empties in service the pump will always self bleed in the same way providing the breather is not blocked.
- Once installation is complete connections from the reservoir should be checked for leaks and the pump examined for any damage which might have occurred in handling or transit.
- The pump should be operated a few times to verify its operation.
- In cases where it is a new installation and the output lines are empty, all outlets should be adjusted to maximum (screw fully in allowing the screw slot to be level with the brass ring). (pg 6)
- The Pump should then be operated until oil is seen at the pipe ends before adjusting to the correct calibration.
- 30 seconds should be allowed between operations to allow the pump to recharge with oil.