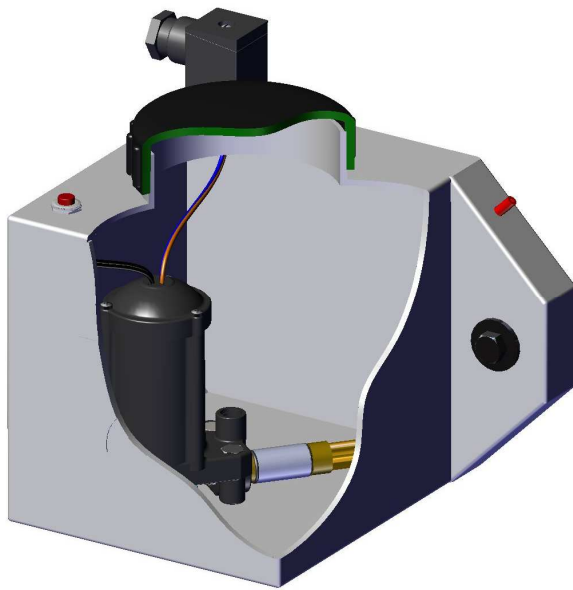


# ChainMaster CM2

**Simple electrically powered oil lubrication to chains, bearings, gears, open gears and sliding surfaces.**

**CM2** has been designed from the ground up to be a simple yet flexible pump for use on applications where electrical drive is preferable or where mechanical drives are unavailable or difficult to implement.



## Pump features

- Dual 12/24VDC gear motor.
- 200 micron contaminant filter.
- Self priming.
- Available in kit form for user/dealer fit.
- Available with timer if required.
- Designed to be flexible, powering systems or just 1 or 2 delivery points.
- Simple, Rugged, Reliable.
- Single outlet timed version shown
- Single output with timer Delivery/Hr

## System Principle

The **CM2** is an electrically operated oil pump, housed inside its own 3L (.8USG) or 7L (1.8USG) reservoir. Designed to be easy to use and fit. It has 2 mounting holes and a standard automotive plug connection. **CM2** is equally at home powering a full system as it is delivering to only 1 or two chains or points. **CM2** will pump all standard oils.

**CM2** is not designed to run continuously it is instead intended to be controlled by a vehicles electronics or with the system's optional timer, which will deliver.

0, 15, 30 or 60CC /hr

0, 0.5, 1.0 or 2Oz /hr

