

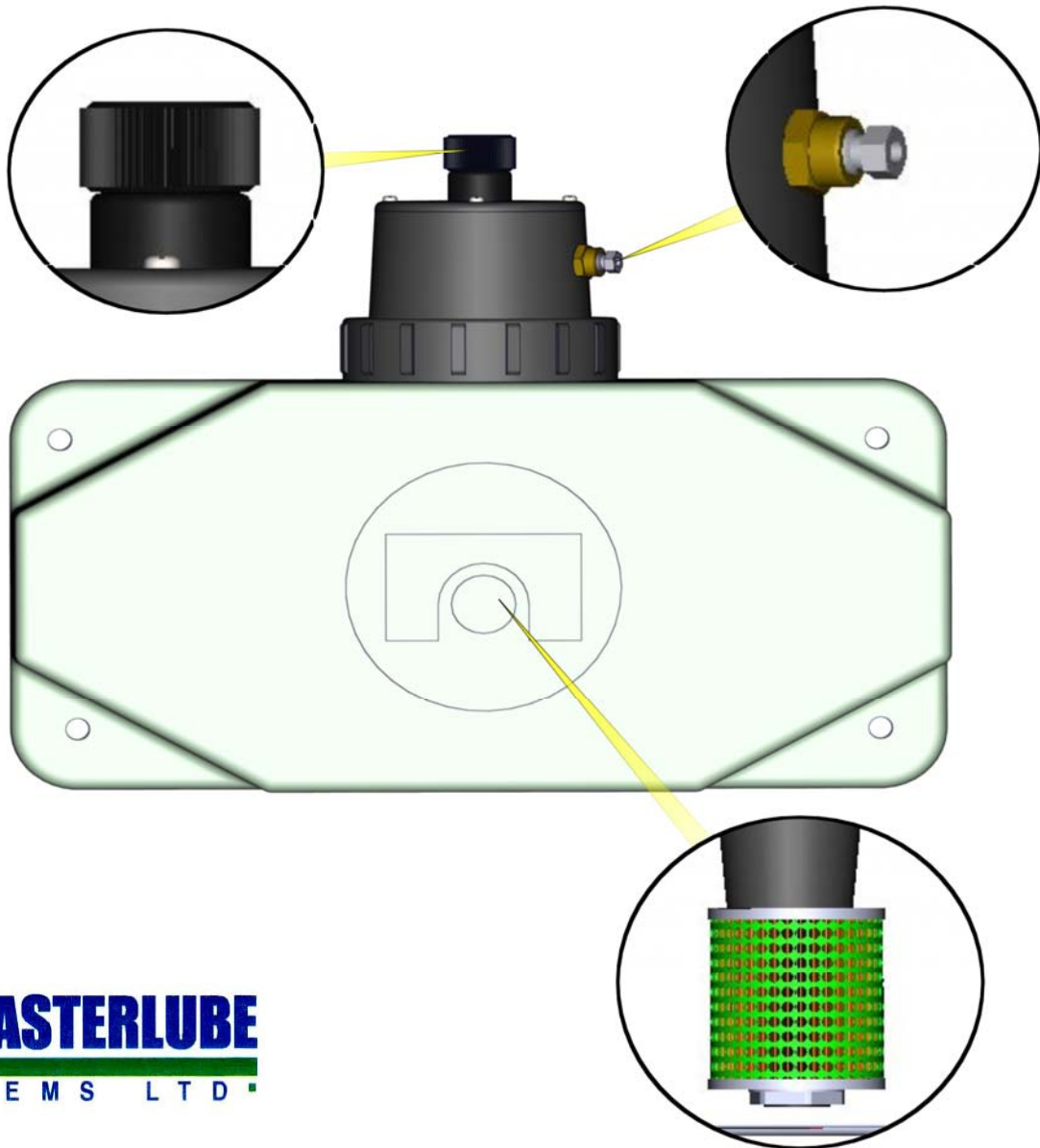


# The Bignall Group of Companies

## CHAINMASTER

### Product Information Sheet

NCMX12 / NCMX12T (pictured below)



Unit 15, Dabble Duck Ind. Est.  
Shildon  
Co. Durham  
UK  
DL4 2QN

Phone: +44 (0)1388 775584 Fax: +44 (0)1388 778893 E-mail: [post@bignall.co.uk](mailto:post@bignall.co.uk)

REF: NCMX12 Iss. 1

## Specification / Mounting Pump/Part Numbers

### Specification

Capacity	7 ltrs Reservoir ( 3 ltrs Optional)
Oil Specification	Use only basic engine oils. Sophisticated oils with additive packages, such as EP, Anti-wear, Anti-froth, etc. May separate out and block the meter valves.
Voltage	12v dc (stabilised / clean voltage needed)
Current (Max)	4.2 amps
Wiring	Refer to Wiring Specification (page 5)
Free Flow Delivery NCMX12T	Integral Adjustment 0 - 15cc/min (nominal)
Free Flow Delivery NCMX12	External Adjustment 0-15cc/min (nominal)
Operating pressure range	10 — 45 psi
Filtering	50 Micron Paper Filter (FP3320)
Temperature Range	+40°C / -15°C
Temperature (operating)	45°C nominal (measured at UK ambient temp 20°C)
Frequency NCMX12T	Integral timer 0.5sec ON / 1.5sec OFF
Frequency NCMX12	External timer needed. (Set 0.5sec ON / 1.5sec OFF)
	<b>Part Numbers</b>
NCMX12	Standard 12V no timer and no adjuster with 7ltr reservoir
NCMX12F	Standard 12V no timer and no adjuster with 7ltr reservoir with filler cap
NCMX12-3	Standard 12V no timer and no adjuster with 3ltr reservoir
NCMX12-3F	Standard 12V no timer no adjuster with 3ltr reservoir with filler cap
NCMX12T	Standard 12V with timer / adjuster and 7 litre reservoir
NCMX12TF	Standard 12V with timer / adjuster and 7 litre reservoir with filler cap
NCMX12T-3	Standard 12V with timer / adjuster and 3 litre reservoir
NCMX12T-3F	Standard 12V with timer and 3 litre reservoir with filler cap

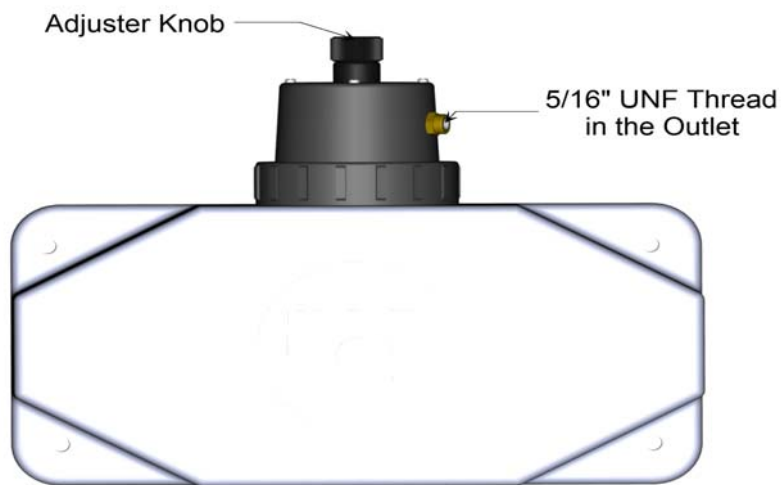
## General Principle / Adjustment

The Chainmaster NCMX12T is an electronically operated oil pump with internal timer and integrally adjustable output. The pump is easy to install and can be used with a wide range of **basic Non EP oils**. Frame mounted manifolds interrupt the primary line to allow valves to be mounted close to lubrication points.

The chainmaster NCMX12 is an oil pump which **MUST** be pulsed electronically, it has no internal timer. The duty cycle must be set not to exceed 25%. The output is adjusted using either external meter units or through an on-board timer.

Both pumps can feed a number of points through restrictor valves (Meter Units). These valves are available in a choice of 8 flow rates .

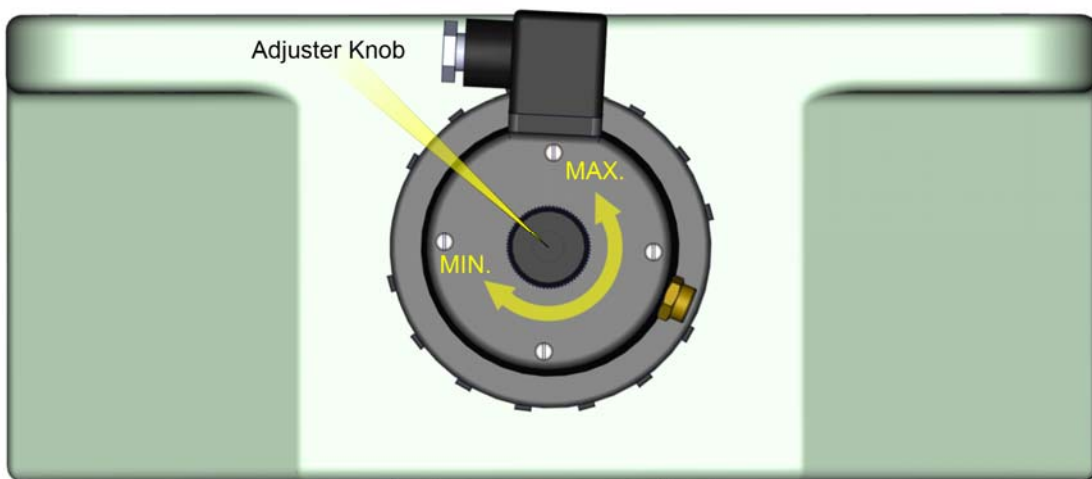
Once mounted and connected to a suitable supply, fill the reservoir with oil (see Specification) Empty pumps will self-bleed and may take some minutes to fully charge the system.



### Adjustment NCMX12T

Adjustment of the pump is via the knob on the top of the pump. This can be adjusted to allow for changing operating conditions.

To increase volume of output turn the adjuster Ant-Clockwise to reduce turn Clockwise.

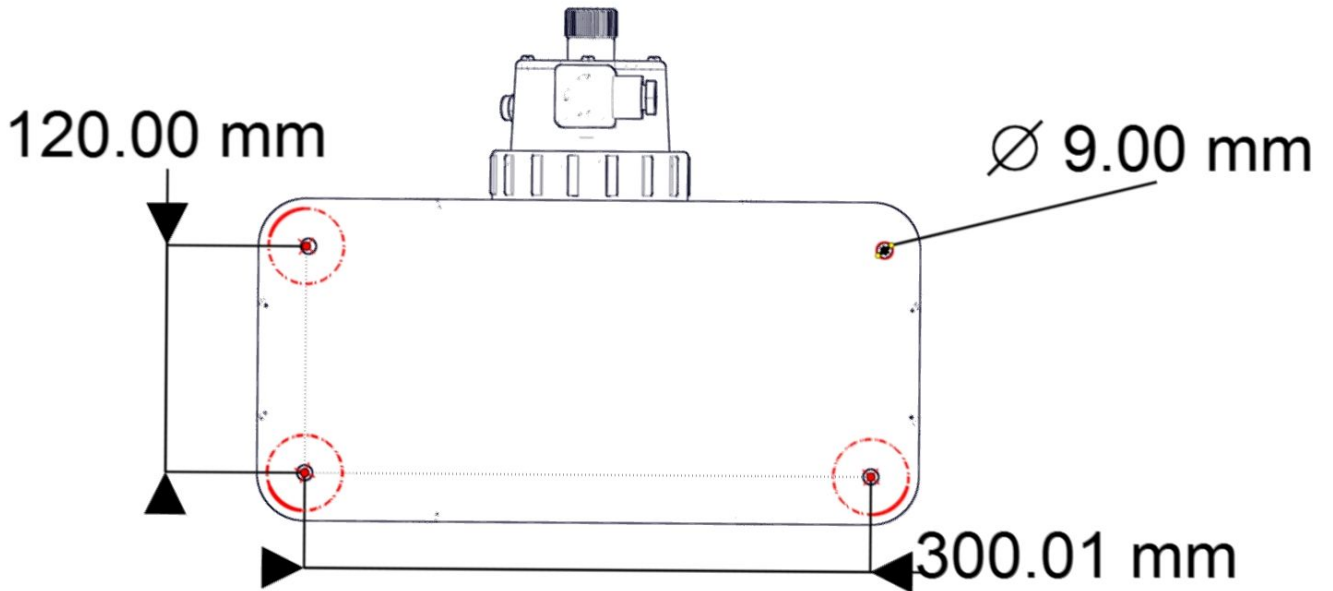


## Mounting The Pump

The reservoir has an integral mounting holes and can be secured using 4 x 5/16" UNF (M8) bolts.

WARNING.

Mark holes to be drilled with a centre punch or suitable marker, do not use the reservoir as a template as drills may wander and damage the reservoir.



# Wiring / Maintenance

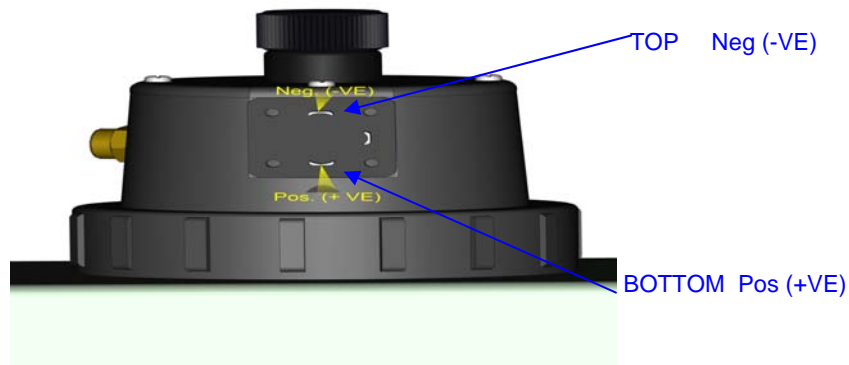
## Wiring

Pumps are supplied with a wiring plug. The wires need to be attached as per diagram below. To a 12volt clean supply.

The NCMX12 pump needs to be linked to an external timing unit set to a 0.5 second ON / 1.5 second OFF pulse

The NCMX12T pump comes with an internal timer which operates the pump on a 0.5 second ON / 1.5 second OFF pulse.

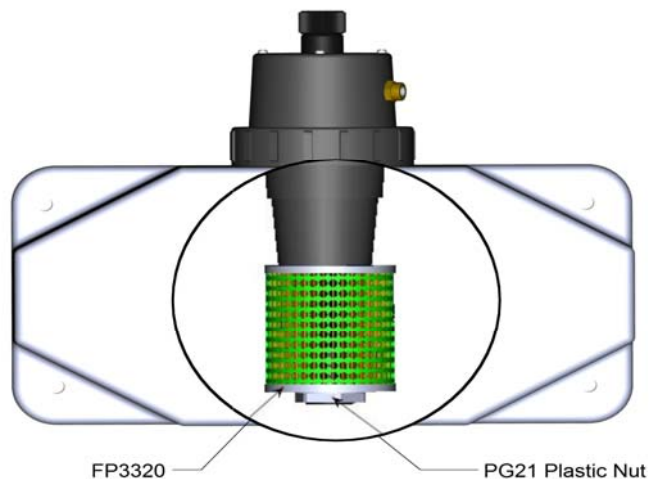
Avoid mounting the pump too far away from the power source and ensure the cable chosen is heavy enough to prevent excessive voltage drop. This will cause the pump to be unreliable.



## Maintenance

Fill the reservoir regularly and avoid long periods of running the pump empty. Do not over fill the reservoir, take care not to introduce contaminants.

The internal paper filter can be changed by removing the pump away from the reservoir. The filter can then be removed by unscrewing the plastic nut, and replace with a new filter. (Stock Item No. FP3320)



## NOTES.

**The top of this unit can become hot to the touch if operated for prolonged periods of time and/or in certain Conditions, please take care when adjusting output.**