

blocmaster2

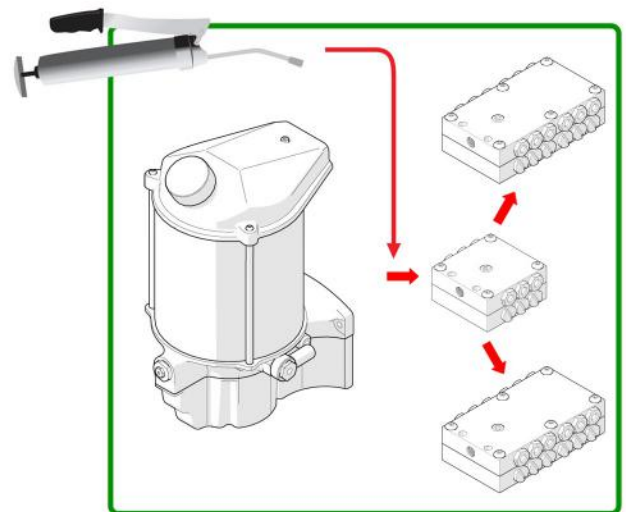
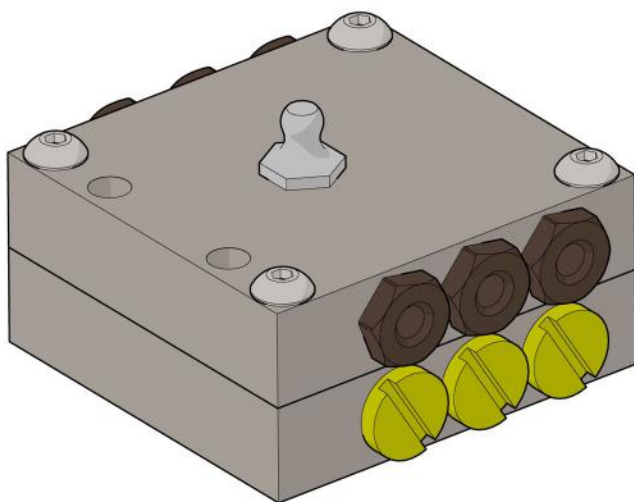
blocmaster2 is a purpose design method of delivering accurate quantities of grease to bearings efficiently

Masterlube's unique design now incorporates a simple way to vary output from individual pistons within its sandwich monoblock housing and forms its patent protection.

This feature allows more cost effective systems to be planned with fewer components. Blocks also incorporate Masterlube's innovative easy service push in outlets for quick installation.

Progressive Distribution

Progressive distribution blocks are devices to deliver grease in predetermined ratios where each delivery piston is also the control valve for its neighbour. By linking a minimum of 3 pistons the block will cycle continuously.



Save time and money by offering safe, quick and reliable grease lubrication.

Applications

- Ideal for automated and centralised greasing systems, also for converting banked systems to single point or automated systems.
- Designed to be used with GREASEMASTER3 and COMPAC electric pumps, as well as MECANIX mechanically operated pumps and banked manual systems.
- Can be used in all applications where reliable grease lubrication is required.

Contact Us

Rory Delaney / Ian Wanless

Unit 15, Dabble Duck Ind Est, Shildon,
County Durham, DL4 2QN
Telephone: +44 (0)1388 775584
Email: mssl@bignall.co.uk
Web: <https://www.masterlubesystems.com/>